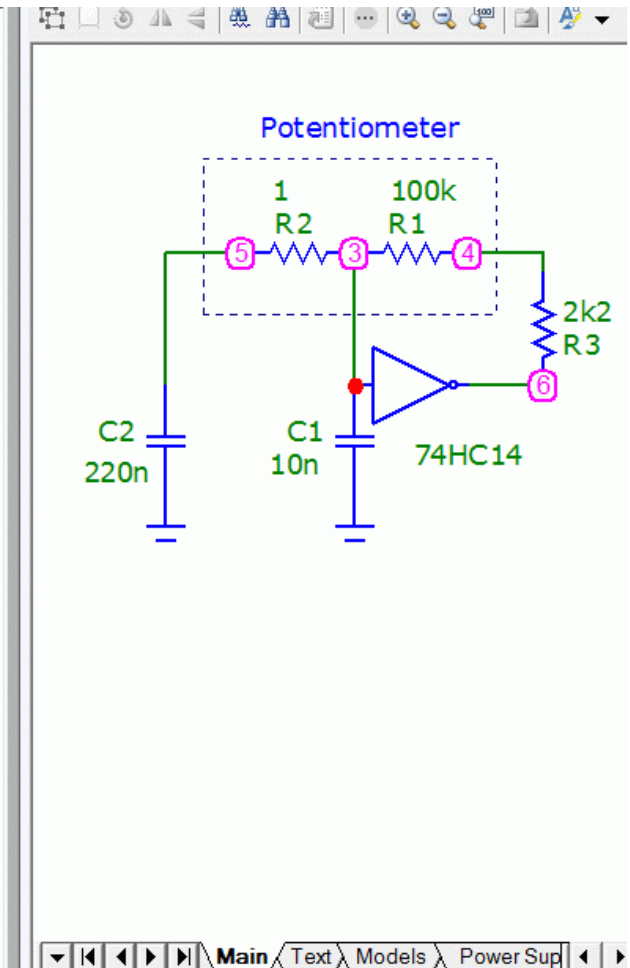
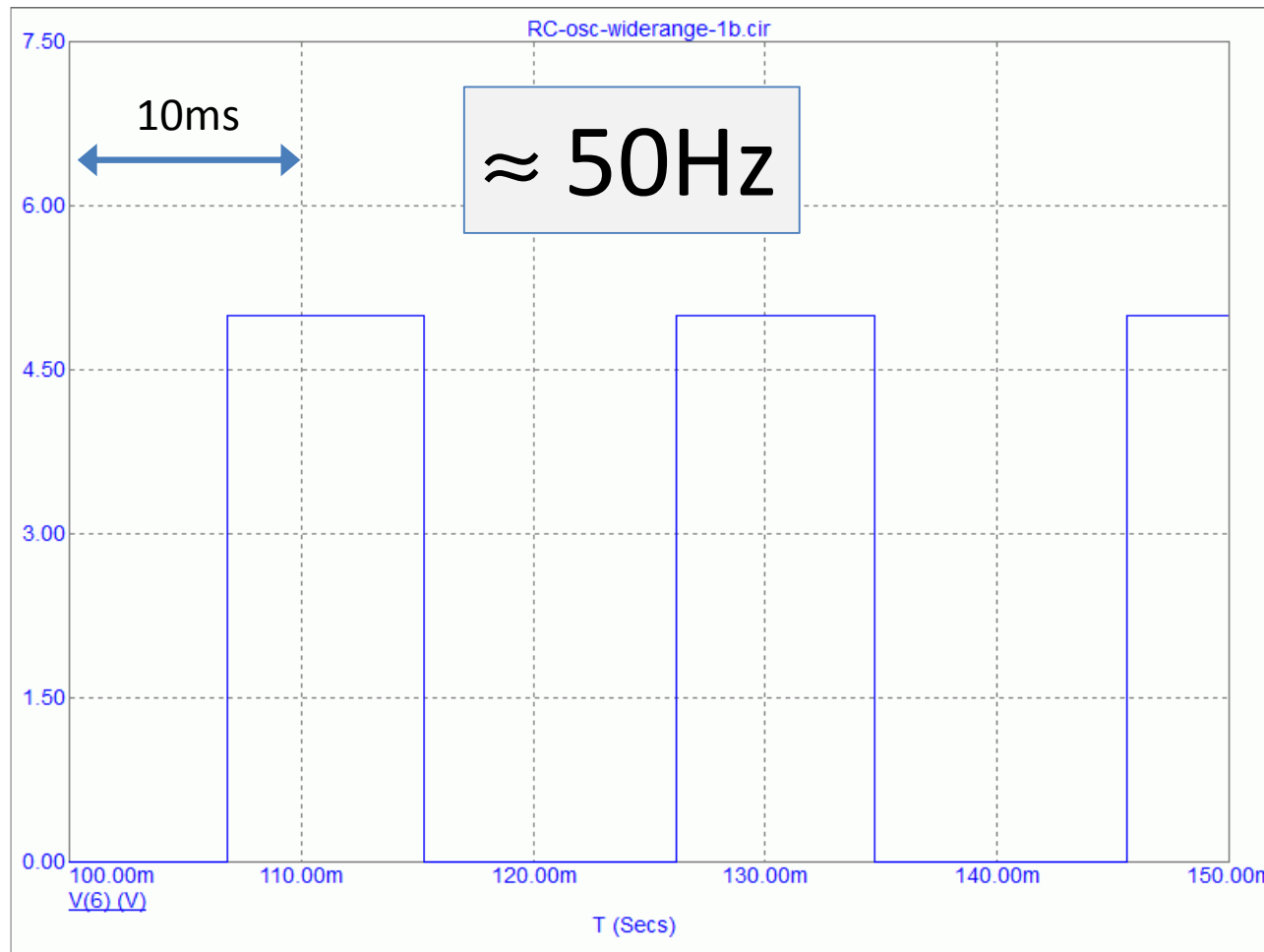


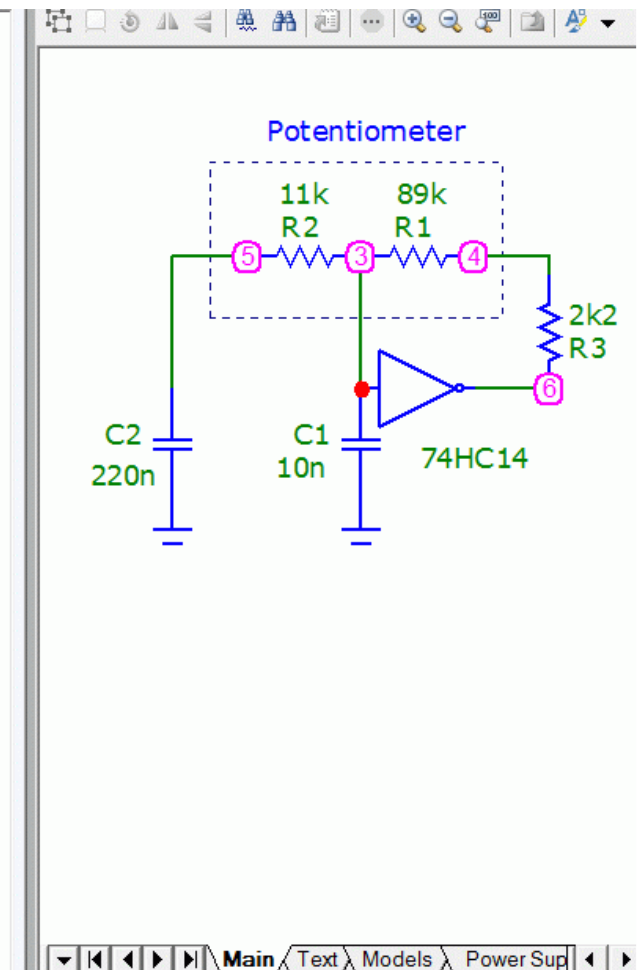
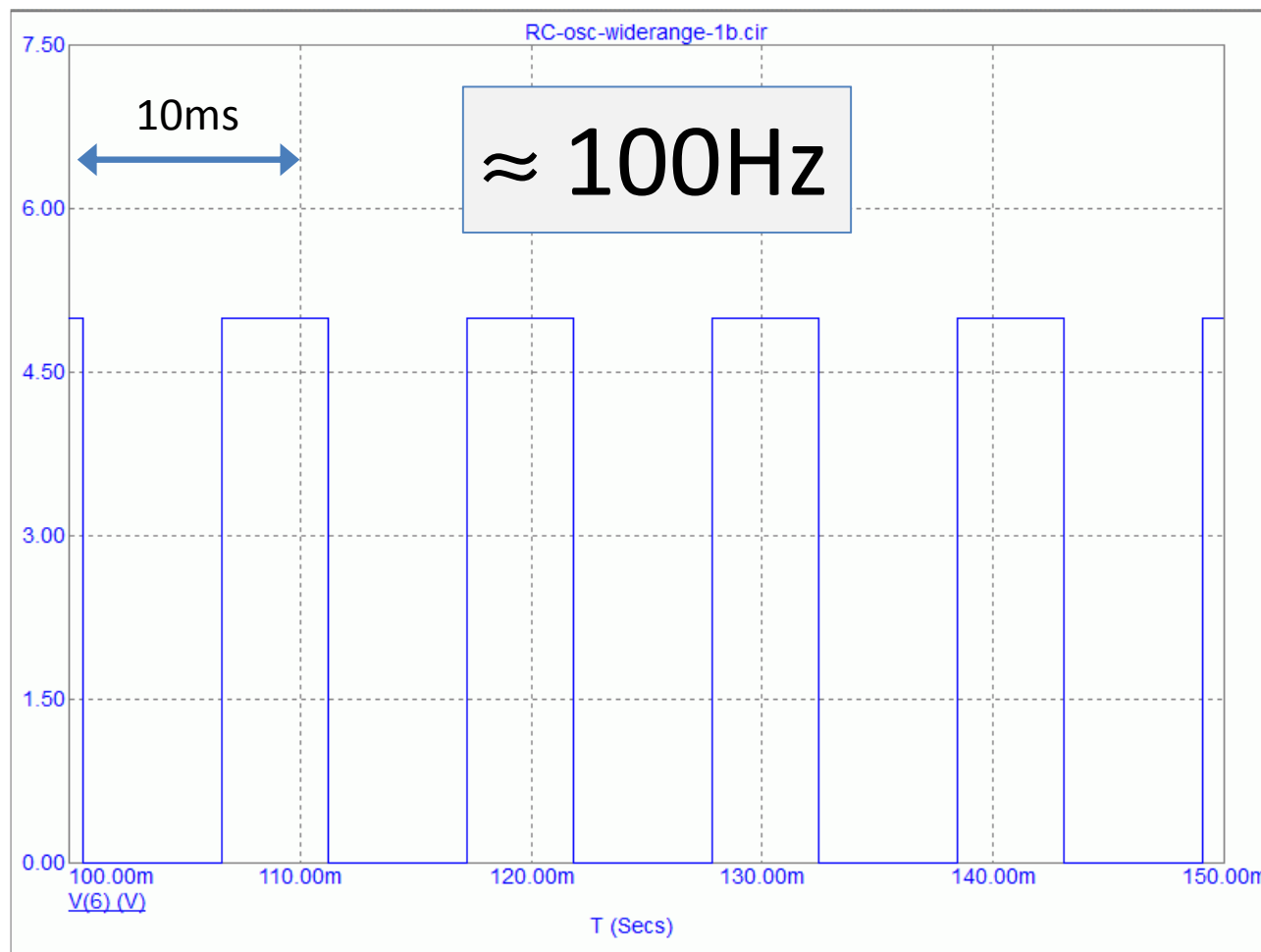
Simulation for extended RC-oscillator **potmeter tuning range 1:1000**

Here: 50Hz...50kHz. Potmeter settings for approximately tuning octaves up



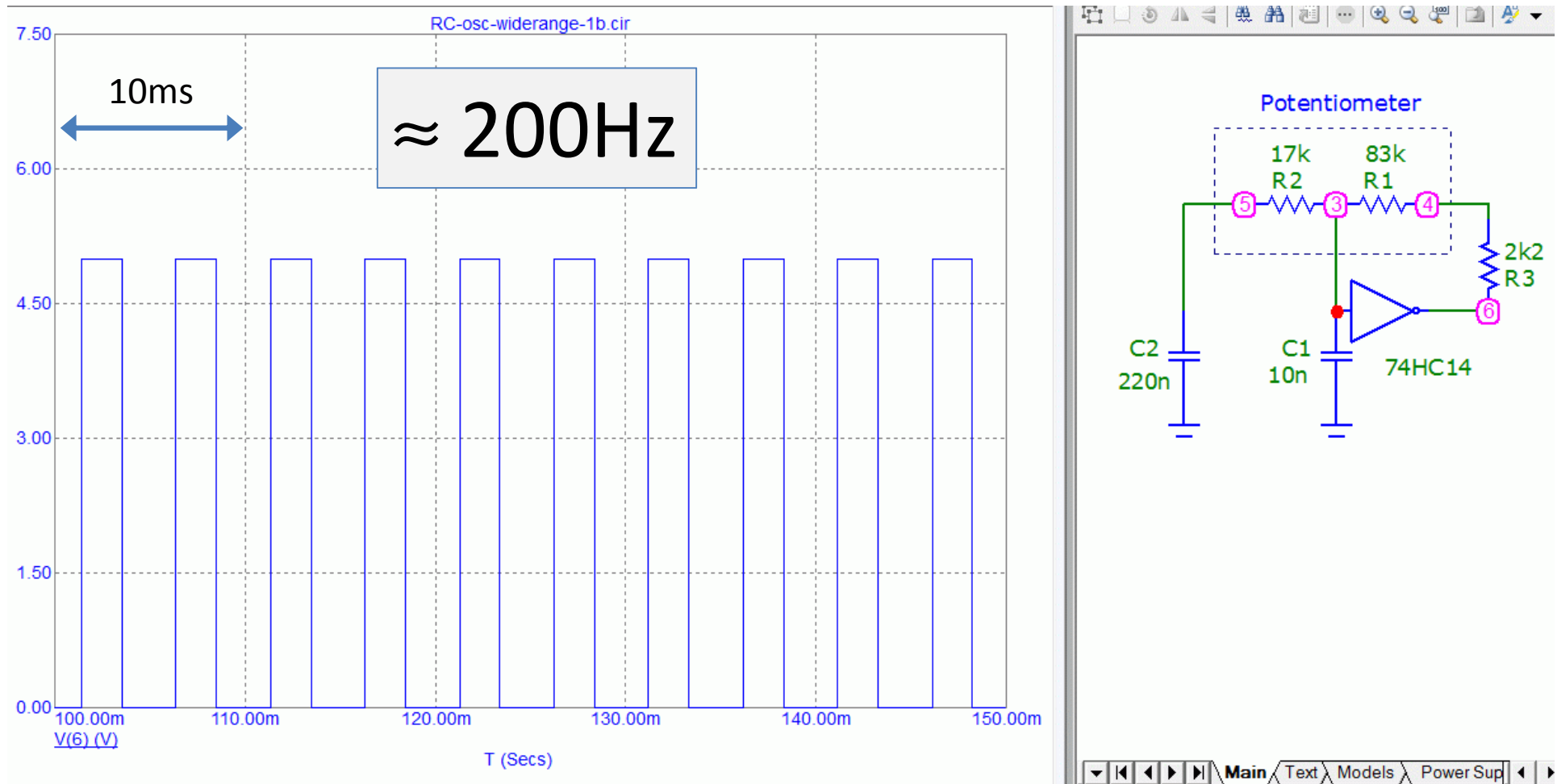
Simulation for extended RC-oscillator **potmeter tuning range 1:1000**

Here: 50Hz...50kHz. Potmeter settings for approximately tuning octaves up



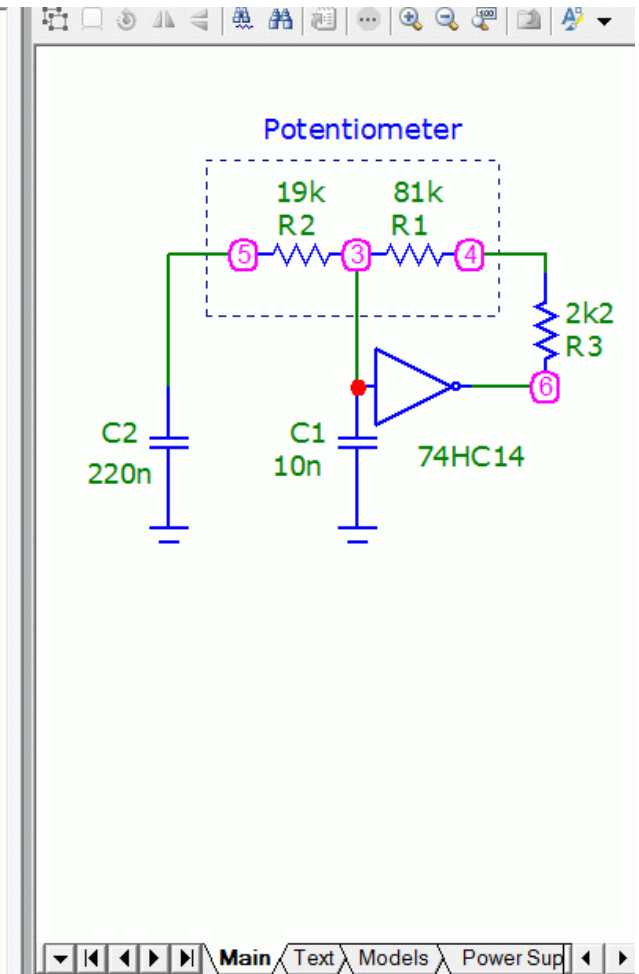
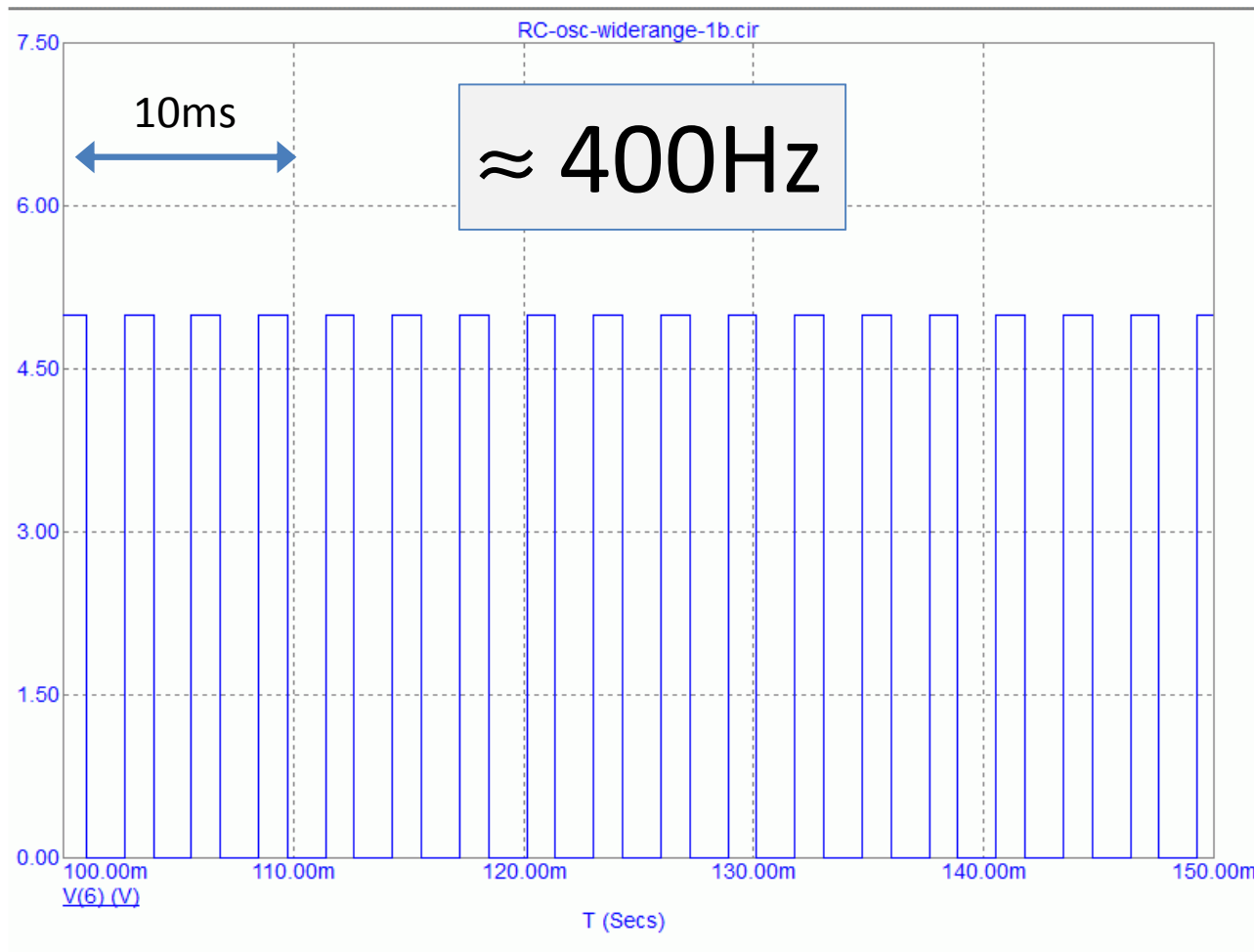
Simulation for extended RC-oscillator **potmeter tuning range 1:1000**

Here: 50Hz...50kHz. Potmeter settings for approximately tuning octaves up



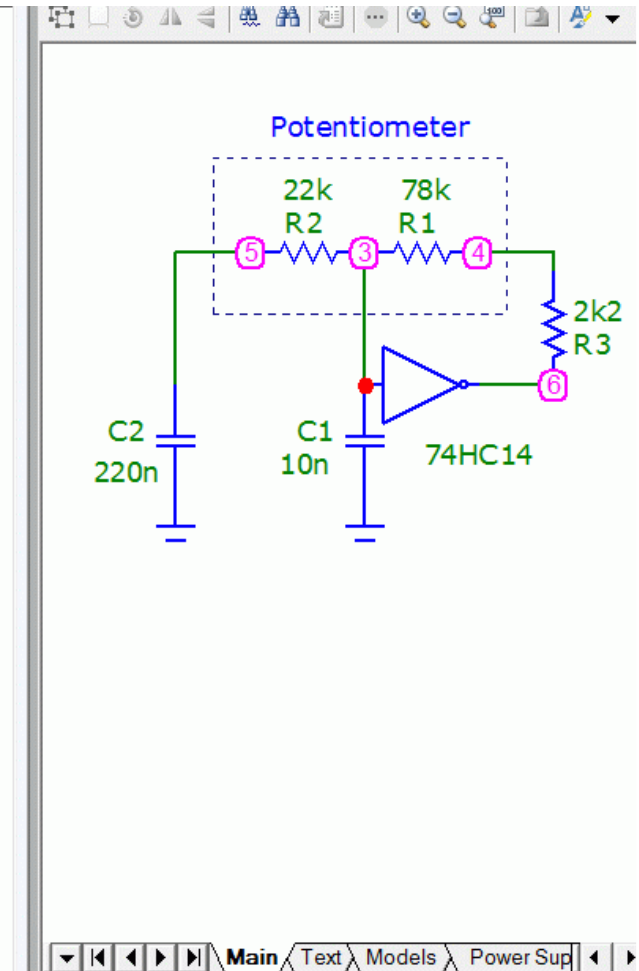
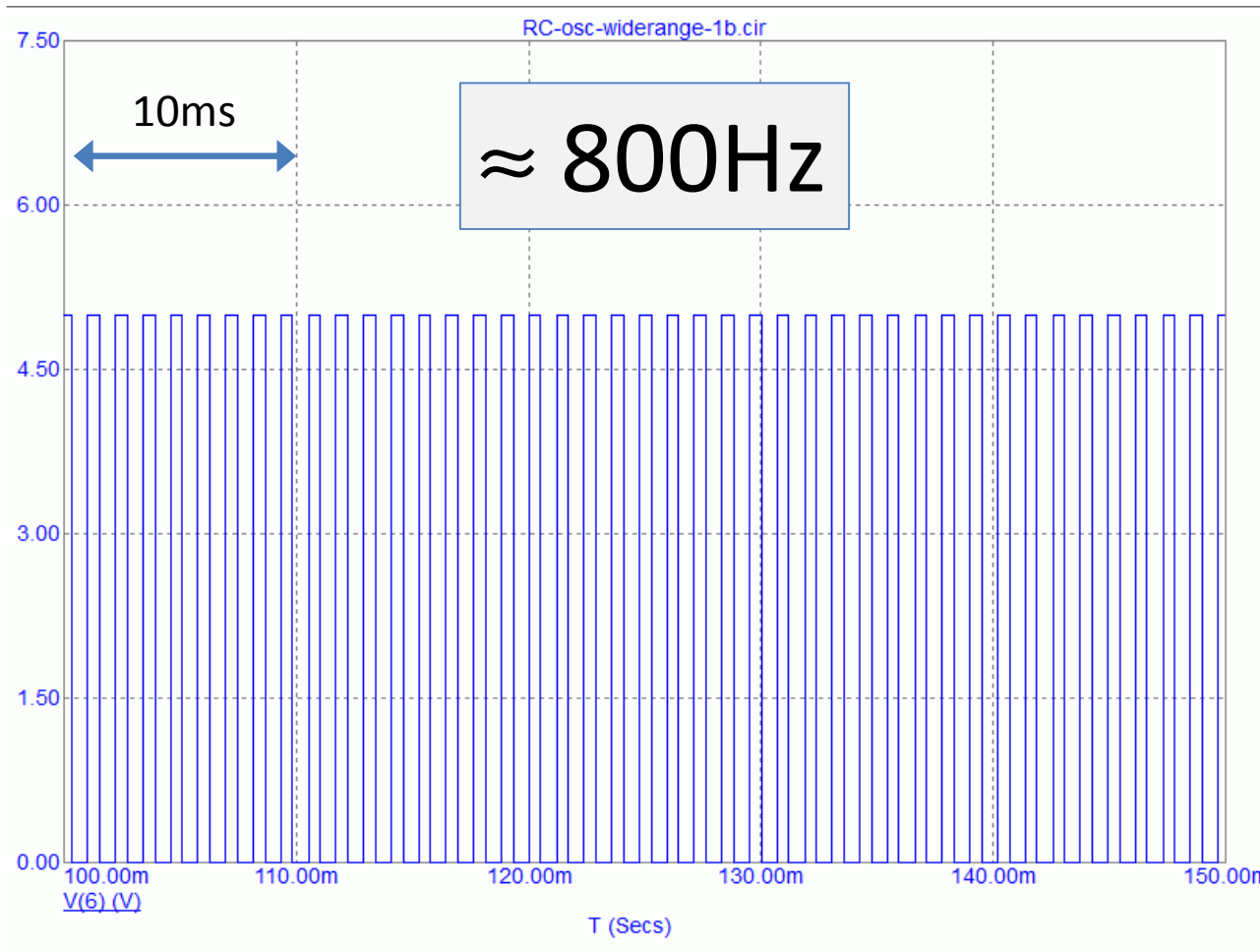
Simulation for extended RC-oscillator **potmeter tuning range 1:1000**

Here: 50Hz...50kHz. Potmeter settings for approximately tuning octaves up



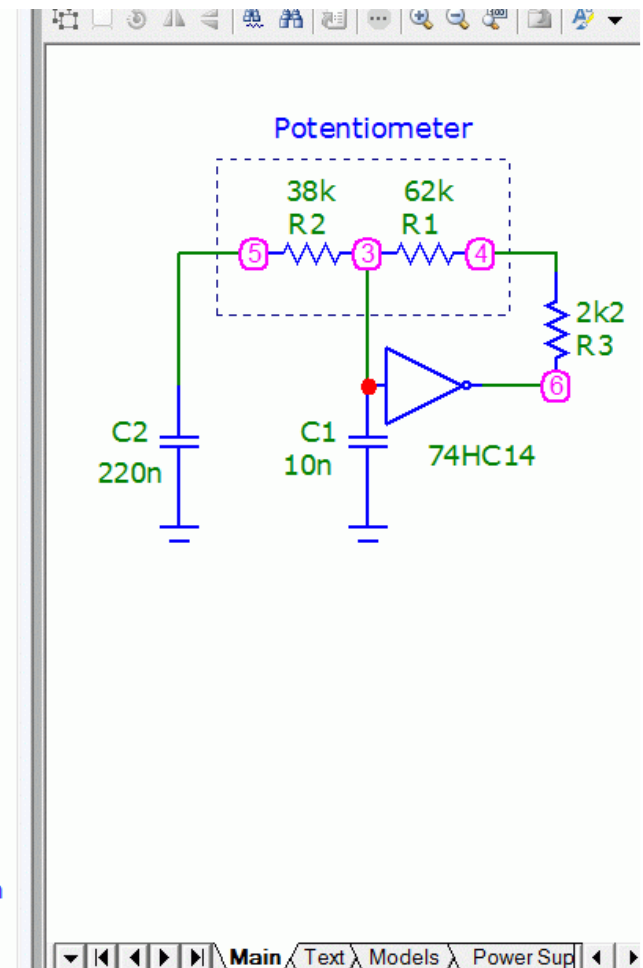
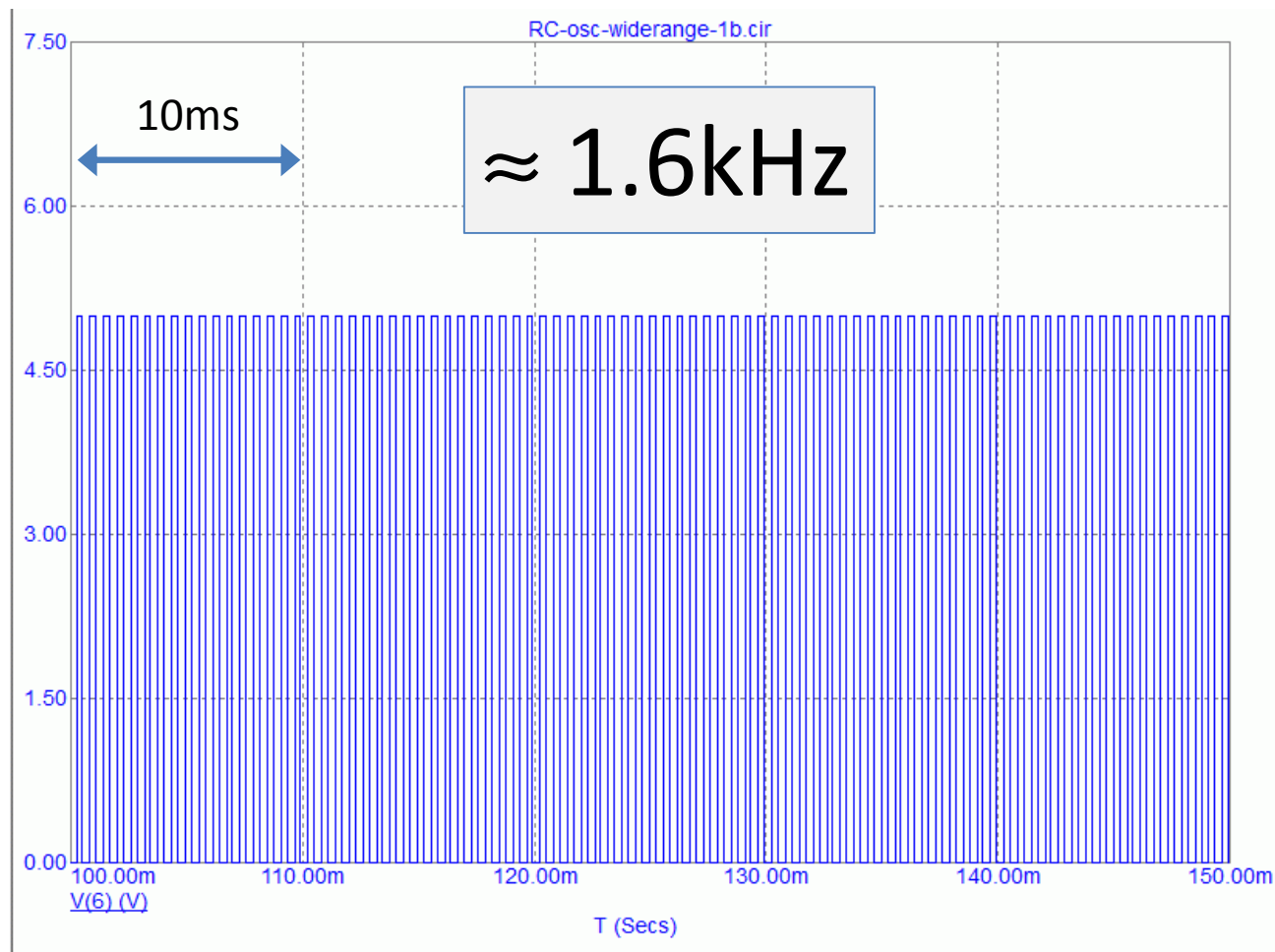
Simulation for extended RC-oscillator **potmeter tuning range 1:1000**

Here: 50Hz...50kHz. Potmeter settings for approximately tuning octaves up



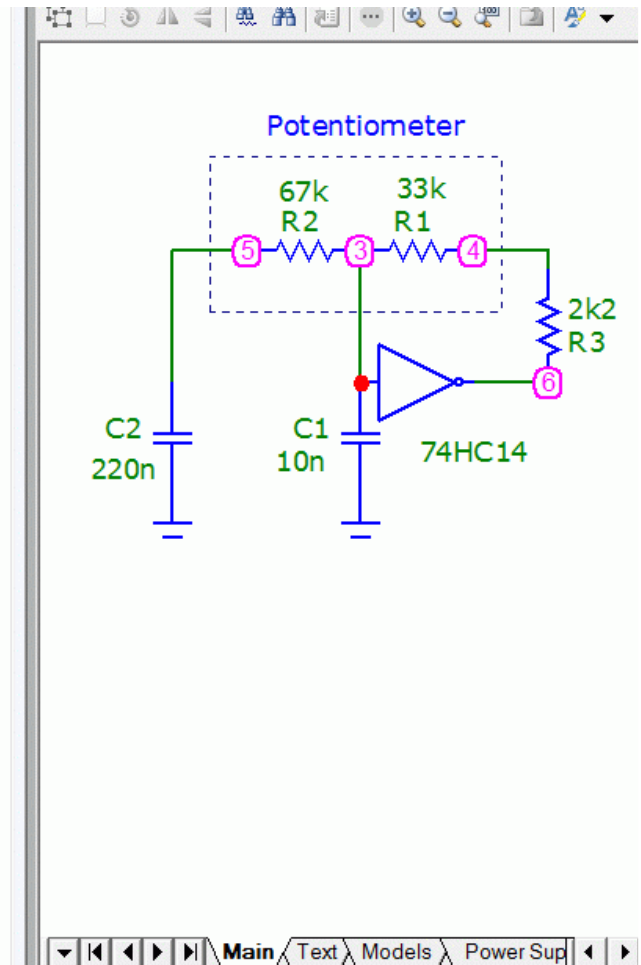
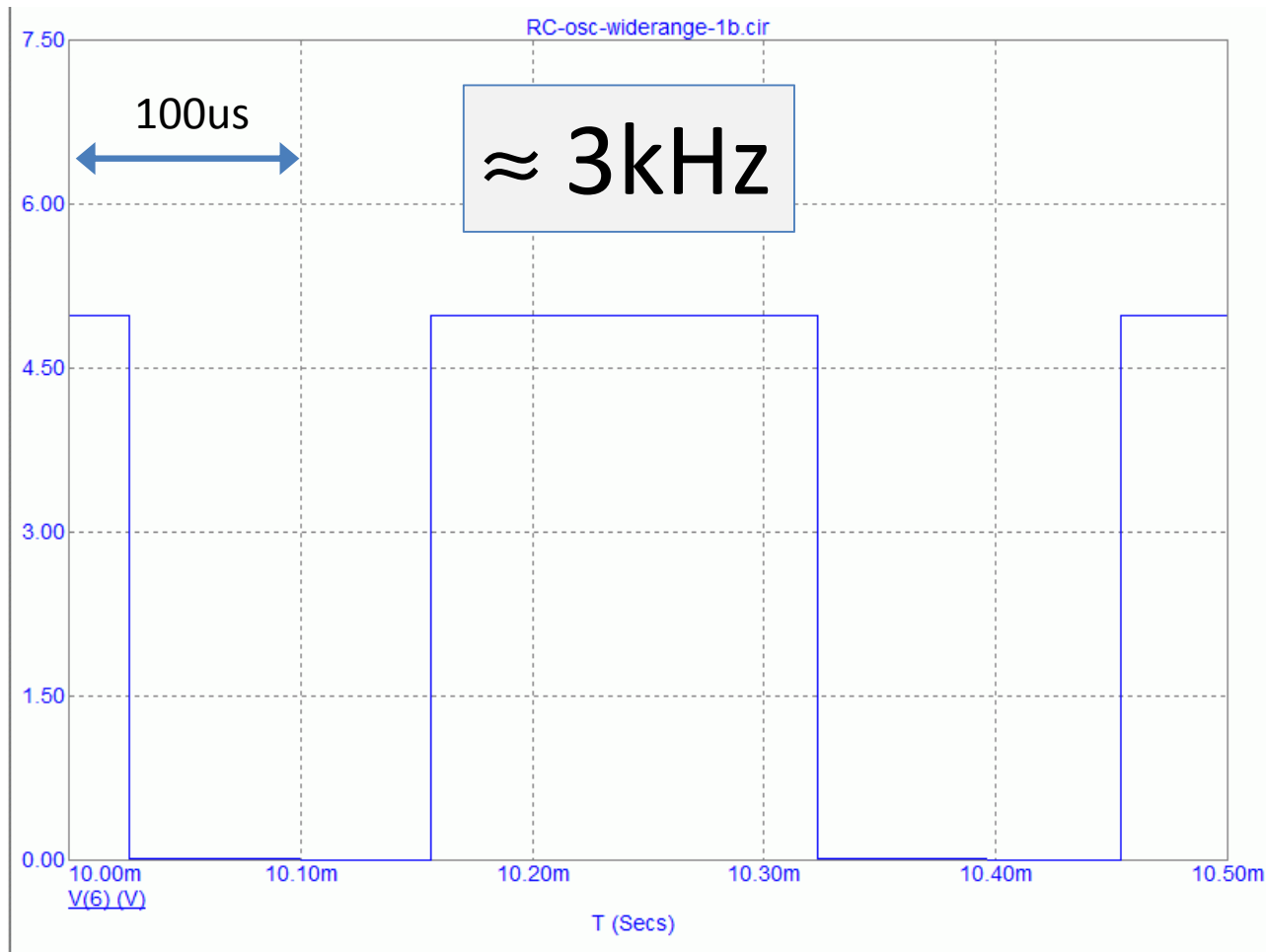
Simulation for extended RC-oscillator **potmeter tuning range 1:1000**

Here: 50Hz...50kHz. Potmeter settings for approximately tuning octaves up



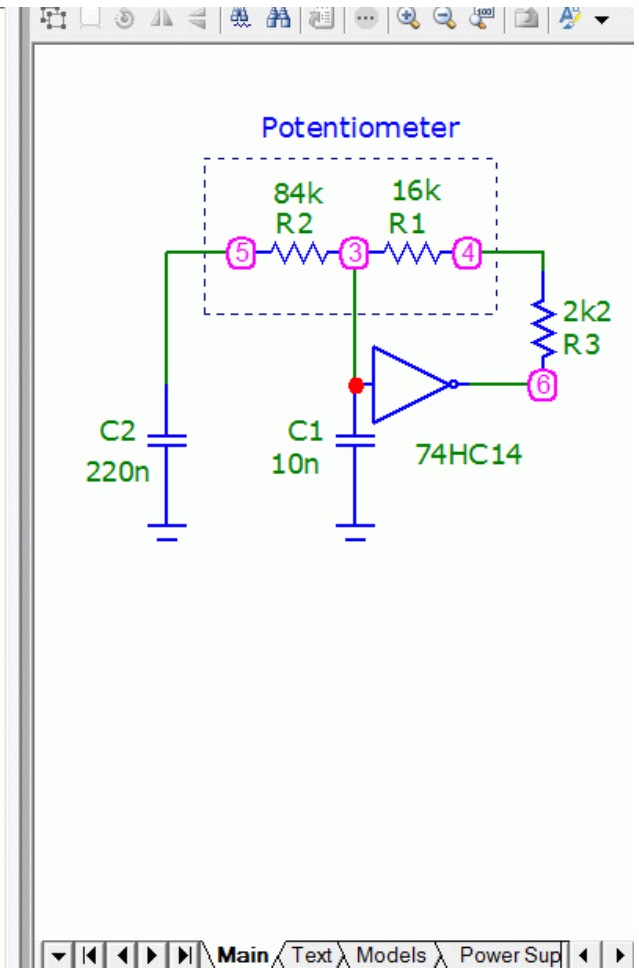
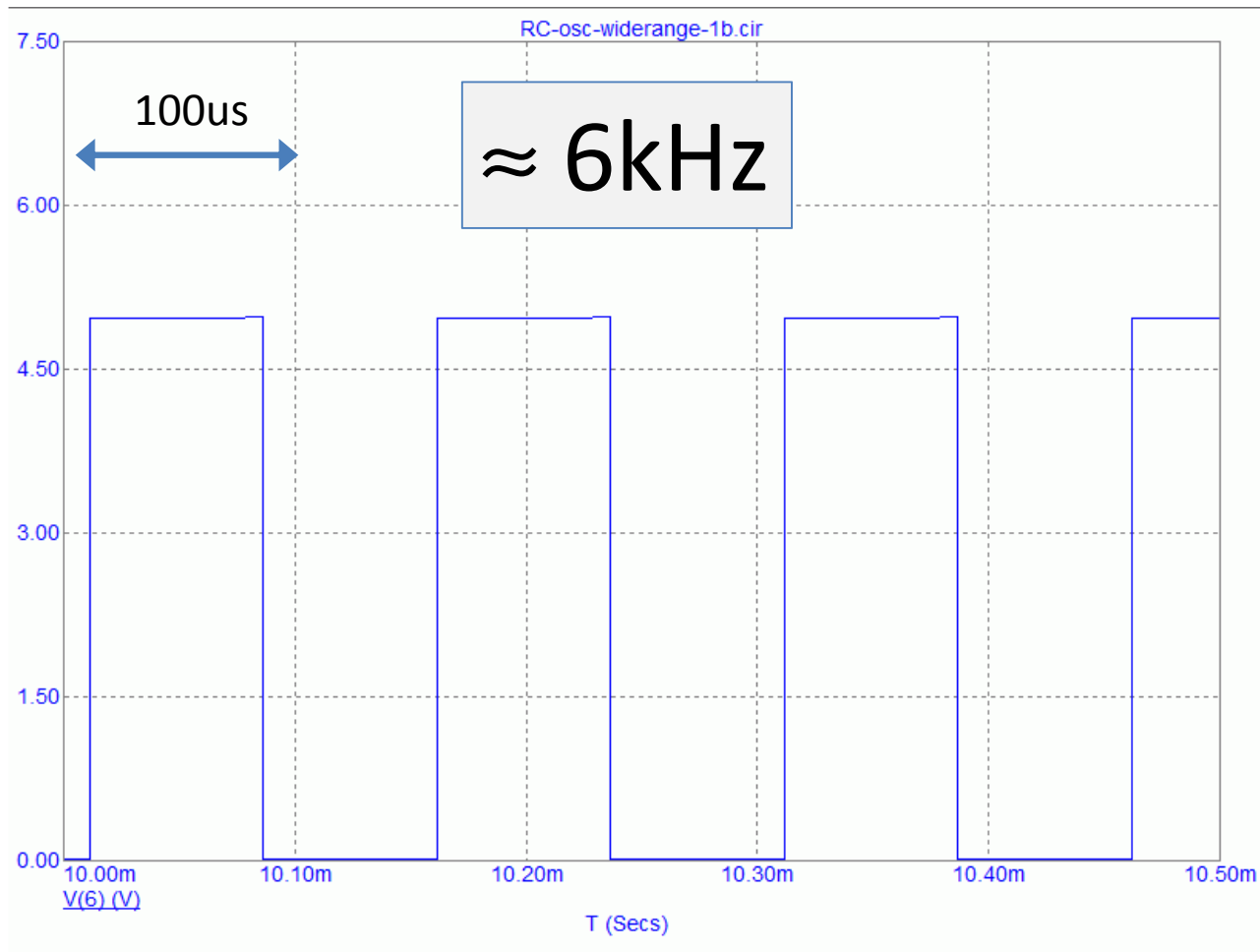
Simulation for extended RC-oscillator **potmeter tuning range 1:1000**

Here: 50Hz...50kHz. Potmeter settings for approximately tuning octaves up



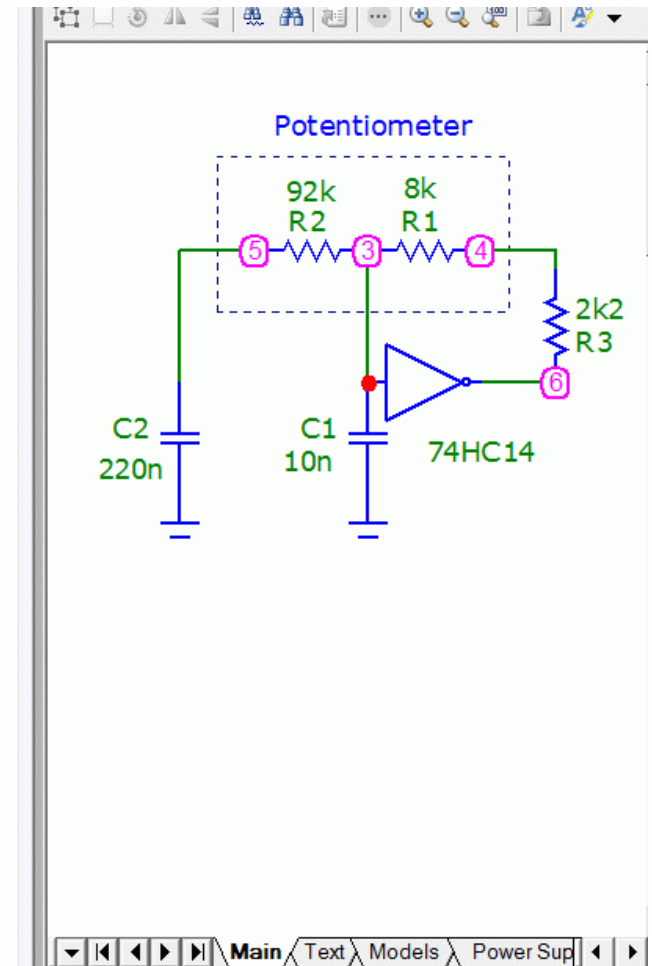
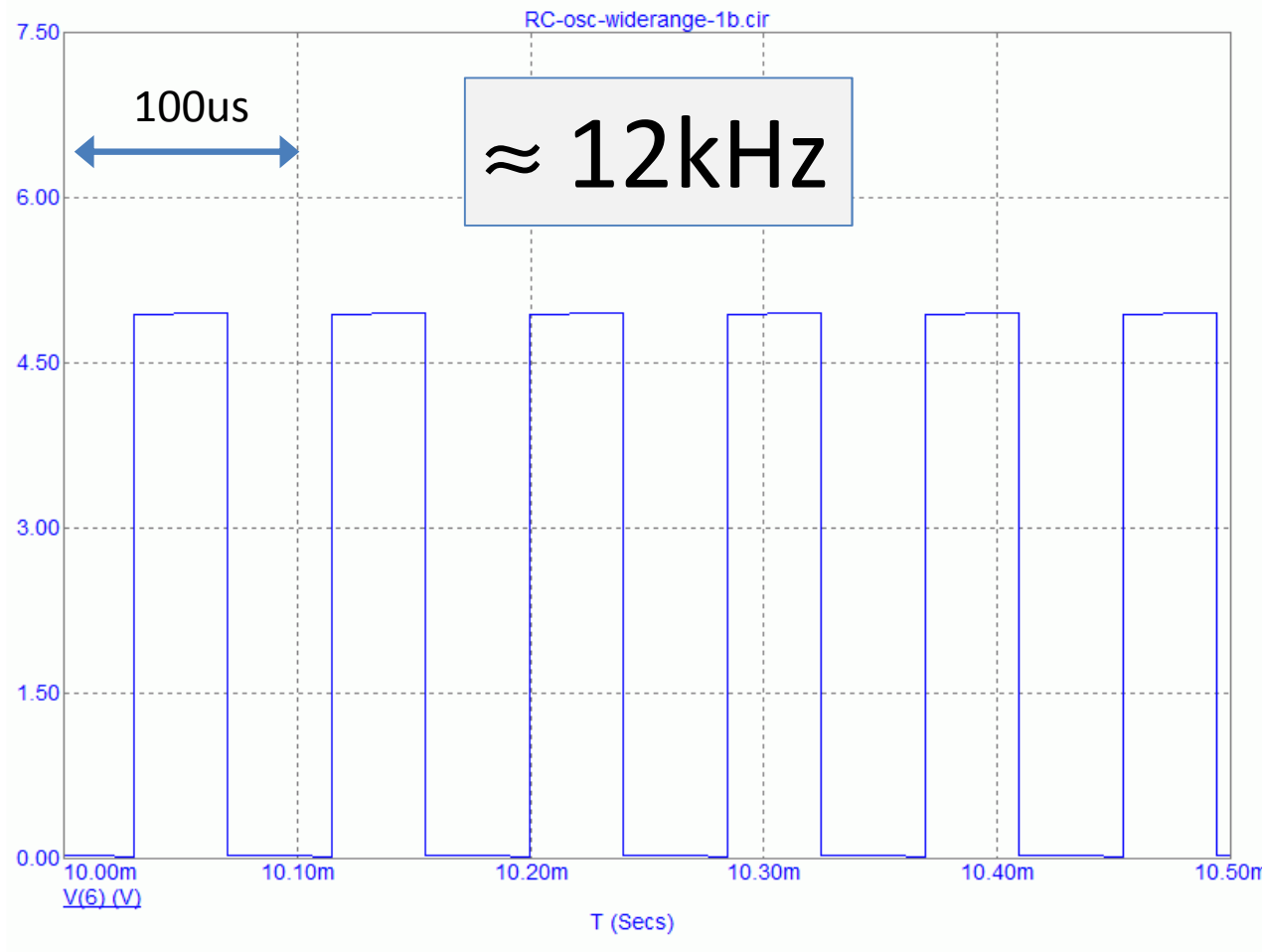
Simulation for extended RC-oscillator **potmeter tuning range 1:1000**

Here: 50Hz...50kHz. Potmeter settings for approximately tuning octaves up



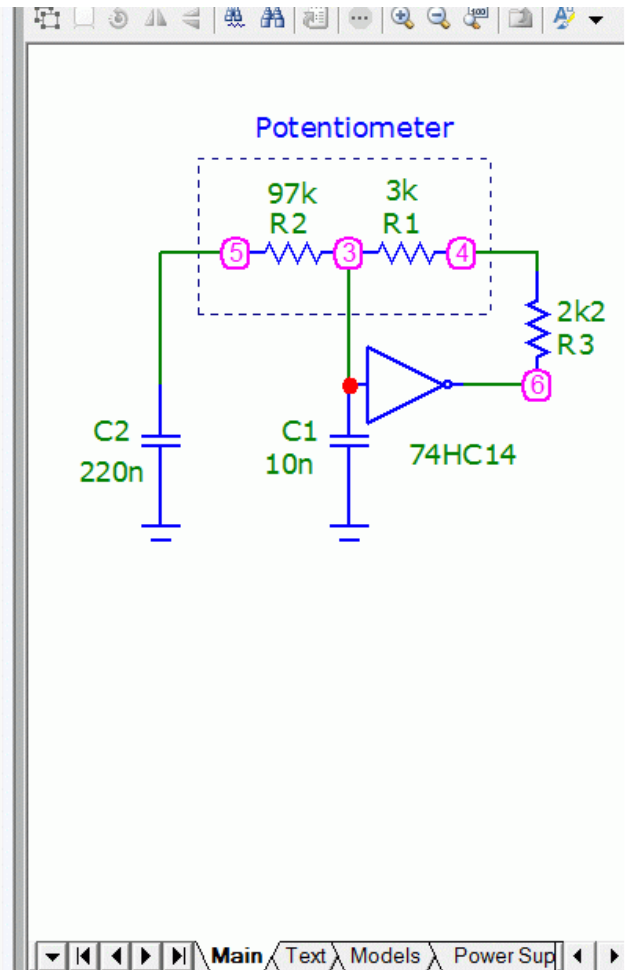
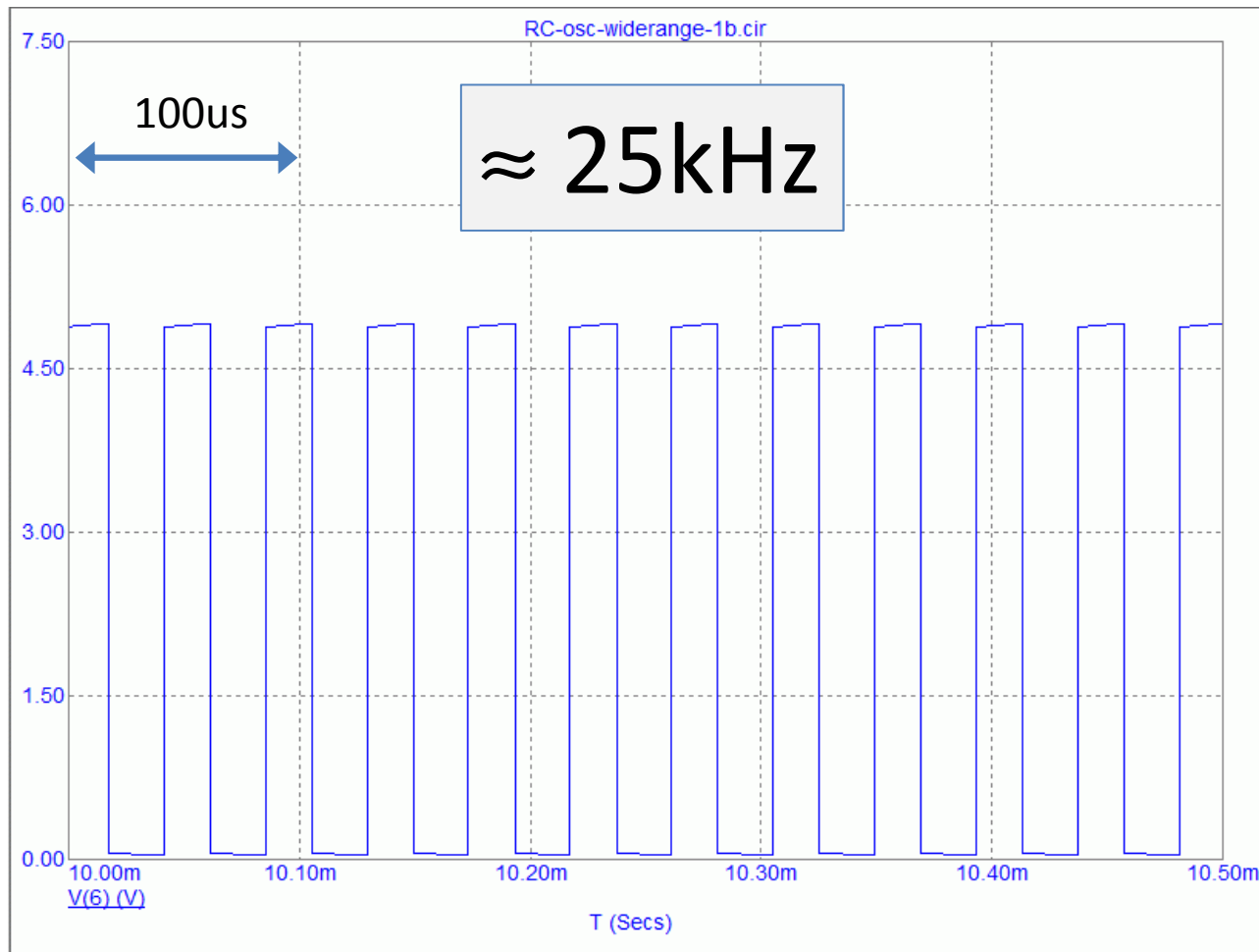
Simulation for extended RC-oscillator **potmeter tuning range 1:1000**

Here: 50Hz...50kHz. Potmeter settings for approximately tuning octaves up



Simulation for extended RC-oscillator **potmeter tuning range 1:1000**

Here: 50Hz...50kHz. Potmeter settings for approximately tuning octaves up



Simulation for extended RC-oscillator **potmeter tuning range 1:1000**

Here: 50Hz...50kHz. Potmeter settings for approximately tuning octaves up

